

030-2000  
Two-Point Free  
Float Baggage Lock



Designed for recreational vehicle baggage and compartment doors, this product is available in black or copper-nickel-chrome plated finish and features a two-point remote actuation and is power lockable.

- Two-point assembly ideally suited to fit 1.25" (31.8mm) and thicker foam core doors with linkage release efforts up to 7 lbs. (3 kg) per linkage rod

**FEATURES/BENEFITS:**

- Foam gasket on flange of housing provides resistance to water infiltration
- Paddle free-floats when locked
- Modern automotive styling
- Adaptable to powerlock actuation
- Paddle can be locked before door is shut
- Large handle provides comfortable finger access and greater ease of operation (ergonomics)



[www.trimarkcorp.com](http://www.trimarkcorp.com)

**TriMark Corporation**  
500 Bailey Avenue  
P.O. Box 350  
New Hampton, Iowa 50659  
United States  
Tel: 641-394-3188  
Fax: 641-394-2392  
1-800-447-0343  
[www.trimarkcorp.com](http://www.trimarkcorp.com)

10002707 QM08 ISO 9001: 2008  
10002707 TS09 ISO/TS 16949: 2009  
UL  
TriMark Corporation

**TriMark Europe**  
Cedar Court  
Walker Road  
Bardon Hill  
Coalville LE67 1TU  
United Kingdom  
Tel: +44(0)1530 512460  
Fax: +44(0)1530 512461  
[www.trimarkeu.com](http://www.trimarkeu.com)

427961 QM08 ISO 9001 : 2008  
427961 UM ISO 14001 : 2004  
UL  
TriMark Europe Ltd.



# 030-2000 Two-Point Free Float Baggage Lock

## AVAILABLE:

- Handle can be keyed to match other TriMark RV door products with KeyOne™ Plus for a single-key system, keyed alike or provided non-locking
- Linkage rods available for your specific applications
- Right or left hand configurations (right hand shown)



## MATERIAL:

- Sturdy zinc die cast alloy paddle and housing
- All steel parts (axles, pivot arm, pivot plate, lock cam): cold rolled steel with zinc plate clear chromate for corrosion resistance

## FINISH:

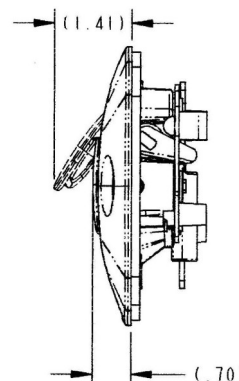
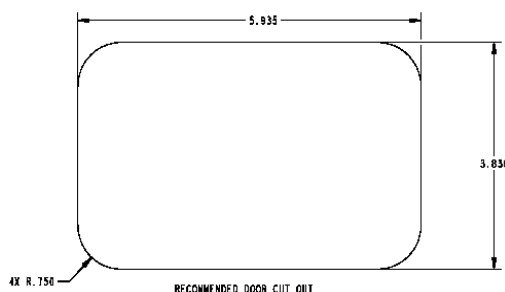
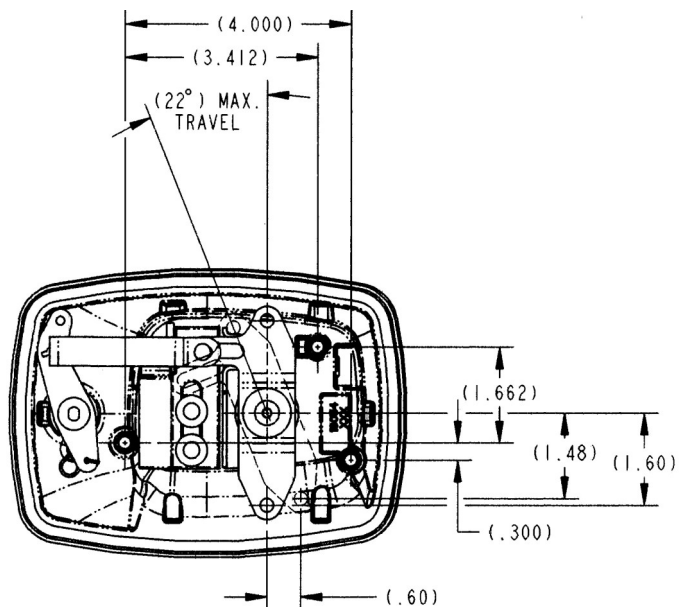
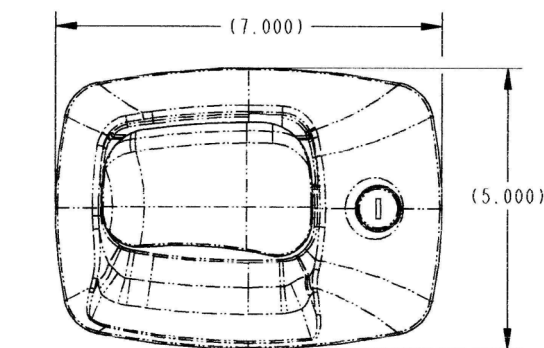
- Supplied black powder coated, the product can easily be painted over to match body colors
- Also available copper-nickel chrome plated

## INSTALLATION:

- Easy drop-in installation
- Supplied with gasket already applied under recess in housing flange for simple, clean installation
- Mounts with (3) 1/4-20 UNC thread forming screws (not supplied)
- Optional mounting bracket and rod designed for easy installation of power actuation
- Either handed version can be installed in a wide range of locations in door -- horizontal or vertical orientation

Individual part dimensions are for reference only. Refer to individual part drawings for complete dimensions, specifications, and installation procedures. Engineering assistance and application drawings are available.

**U.S. PATENT NO. 6,708,537**  
**DESIGN PATENT NO. D496,576**



For more information visit  
[www.trimarkcorp.com](http://www.trimarkcorp.com)